



MATERIAL

Aluminium, epoxy resin coating.

COLOUR

Black, matte finish.

STANDARD EXECUTIONS

H7 reamed through hole.

Revolving handle (for +I versions) I.621+x (see page 500) in polyamide based (PA) technopolymer, black colour, matte finish.

- **VAD-GXX**: for gravity indicators, without handle.
- **VAD-GXX+I**: for gravity indicators, with handle.
- **VAD-PXX**: for positive drive indicators, without handle.
- **VAD-PXX+I**: for positive drive indicators, with handle.

Rear flange with internal crown gear wheel in acetal resin based (POM) technopolymer. Black-oxide steel screw and anchor pin.

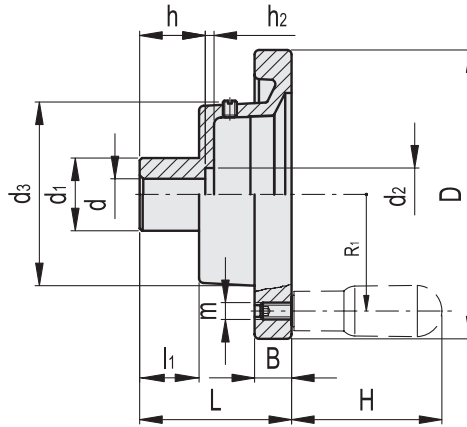
INDICATOR CHOICE (TO BE ORDERED SEPARATELY)

To choose the indicator see the table below for possible assembly with indicators. See also "Assembly instructions" for gravity indicators type G (on page 554) or positive drive indicators type P (on page 556).



ELESA Original design

VAD-GXX
VAD-GXX+I



Conversion Table	
1 mm = 0.039 inch	
D	
mm	inch
80	3.15
100	3.94
125	4.92
160	6.30
200	7.87
250	9.84

VAD-GXX

Code	Description	D	L	dh7	h	d1	d2	d3	h2	I1	B	⚖	Indicator combinations
CE.28501	VAD.80-GXX1 A-10	80	48	10	16	26	20.5	56	3.5	15.5	13	175	GA01 - GA11
CE.28551	VAD.100-GXX1 A-10	100	58	10	17	28	20.5	56	3.5	17.5	14	235	GA01 - GA11
CE.28601	VAD.125-GXX2 A-12	125	61	12	18	31	25.5	76	4	18	15	370	GA02 - GA12 - GW12
CE.28651	VAD.160-GXX2 A-14	160	68	14	20	36	29	78	4	19	18	625	GA02 - GA12 - GW12
CE.28701	VAD.160-GXX5 A-14	160	64	14	23.5	36	25.5	120	4	20	18	760	GA05
CE.28721	VAD.200-GXX2 A-18	200	75	18	24	42	33	79	4.5	21	20.5	980	GA02 - GA12 - GW12
CE.28731	VAD.250-GXX2 A-22	250	81.5	22	28	48	37	80	4.5	24.5	23	1500	GA02 - GA12 - GW12

VAD-GXX+I

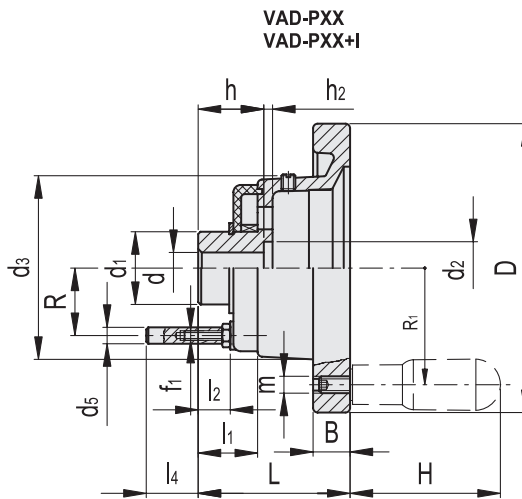
Code	Description	D	L	dh7	h	d1	d2	d3	h2	I1	B	H	m	R1	⚖	Indicator combinations
CE.28511	VAD.80-GXX1 A-10+I	80	48	10	16	26	20.5	56	3.5	15.5	13	45	M6	33.5	200	GA01 - GA11
CE.28561	VAD.100-GXX1 A-10+I	100	58	10	17	28	20.5	56	3.5	17.5	14	45	M6	42.5	270	GA01 - GA11
CE.28611	VAD.125-GXX2 A-12+I	125	61	12	18	31	25.5	76	4	18	15	65	M8	54	440	GA02 - GA12 - GW12
CE.28661	VAD.160-GXX2 A-14+I	160	68	14	20	36	28	78	4	19	18	80	M10	71	705	GA02 - GA12 - GW12
CE.28711	VAD.160-GXX5 A-14+I	160	64	14	23.5	36	25.5	120	4	20	18	80	M10	71	840	GA05
CE.28726	VAD.200-GXX2 A-18+I	200	75	18	24	42	33	79	4.5	21	20.5	90	M10	89	1065	GA02 - GA12 - GW12
CE.28736	VAD.250-GXX2 A-22+I	250	81.5	22	28	48	37	80	4.5	24.5	23	90	M10	113	1595	GA02 - GA12 - GW12

METRIC

Position indicators



Conversion Table	
1 mm = 0.039 inch	
D	
mm	inch
80	3.15
100	3.94
125	4.92
160	6.30
200	7.87
250	9.84



VAD-PXX

METRIC

Code	Description	D	L	dH7	h	d1	d2	d3	d5	f1	h2	l1	l2	l4	B	R	Indicator combinations	
CE.28502	VAD.80-PXX1 A-10	80	55	10	22.5	20	20.5	56	6	M4	3.5	18.5	11.5	13.6	13	19	205	PA01 - PA11
CE.28552	VAD.100-PXX1 A-10	100	63.5	10	22.5	20	20.5	56	6	M4	3.5	18.5	11.5	13.6	14	19	265	PA01 - PA11
CE.28602	VAD.125-PXX2 A-12	125	65.5	12	22.5	32	22.5	76	6	M4	4	19	12	13.1	15	28.5	450	PA02 - PA12 - PW12
CE.28652	VAD.160-PXX2 A-14	160	71.5	14	23.5	32	25.5	78	6	M4	4	20	13	12.1	18	28.5	680	PA02 - PA12 - PW12
CE.28702	VAD.160-PXX5 A-14	160	64	14	23.5	32	25.5	120	6	M4	4	20	13	12.1	18	28.5	760	PA05

VAD-PXX+I

Code	Description	D	L	dH7	h	d1	d2	d3	d5	f1	h2	l1	l2	l4	B	H	m	R	R1	Indicator combinations	
CE.28512	VAD.80-PXX1 A-10+I	80	55	10	22.5	20	20.5	56	6	M4	3.5	18.5	11.5	13.6	13	45	M6	19	33.5	230	PA01 - PA11
CE.28562	VAD.100-PXX1 A-10+I	100	63.5	10	22.5	20	20.5	56	6	M4	3.5	18.5	11.5	13.6	14	45	M6	19	42.5	300	PA01 - PA11
CE.28612	VAD.125-PXX2 A-12+I	125	65.5	12	22.5	32	22.5	76	6	M4	4	19	12	13.1	15	65	M8	28.5	54	520	PA02 - PA12 - PW12
CE.28662	VAD.160-PXX2 A-14+I	160	71.5	14	23.5	32	25.5	78	6	M4	4	20	13	12.1	18	80	M10	28.5	71	760	PA02 - PA12 - PW12
CE.28712	VAD.160-PXX5 A-14+I	160	64	14	23.5	32	25.5	120	6	M4	4	20	13	12.1	18	80	M10	28.5	71	840	PA05